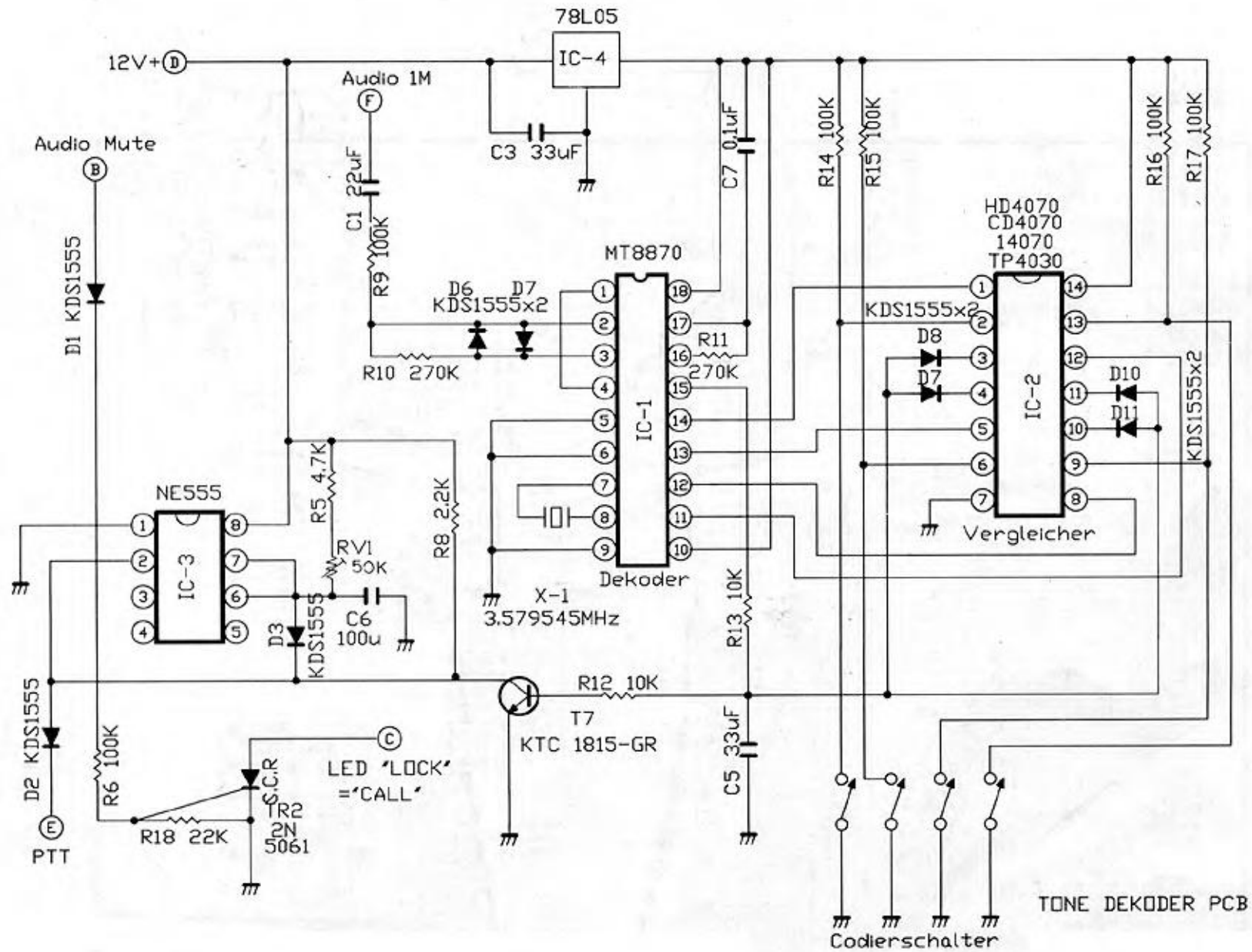


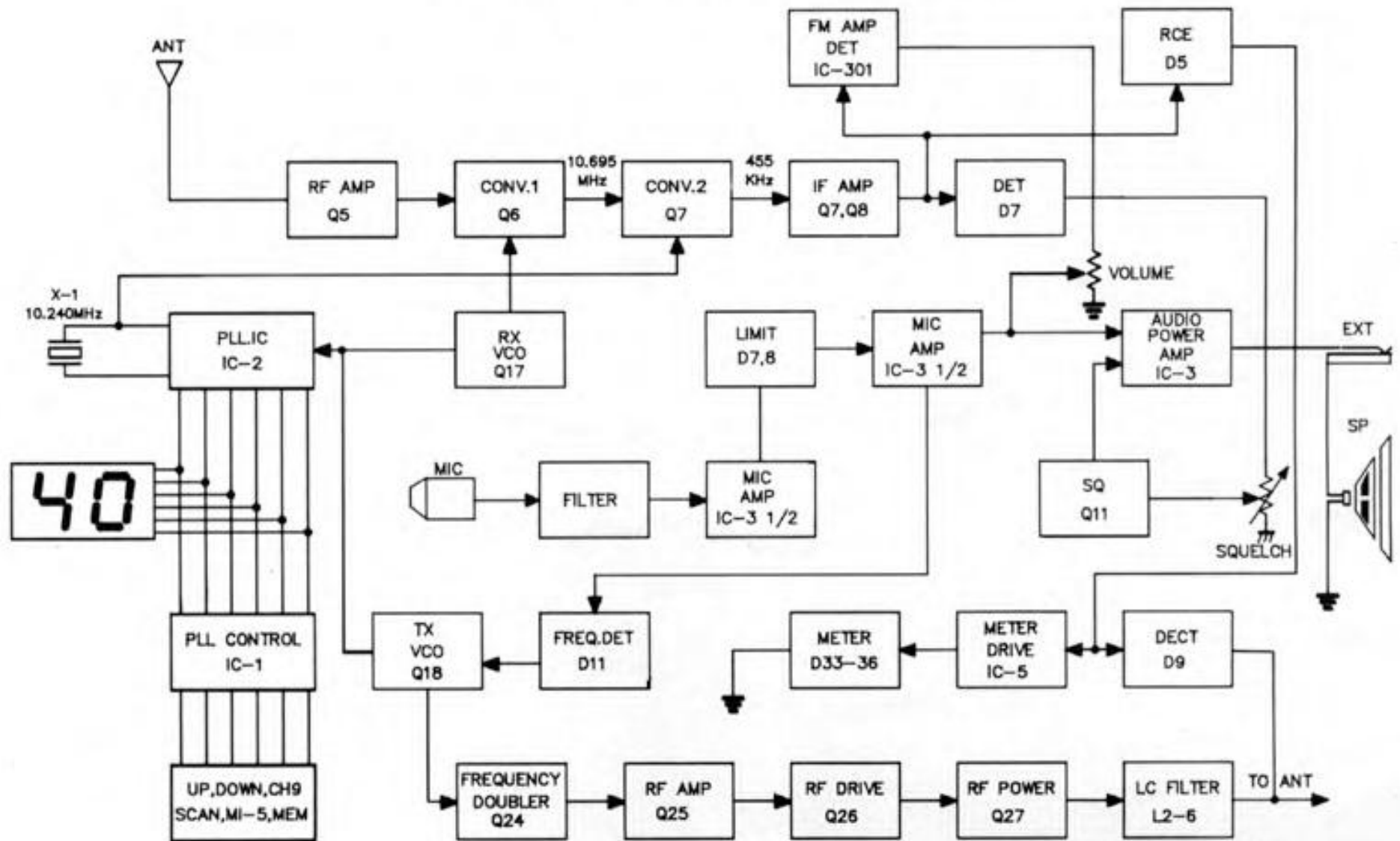


[www.elektroda.pl](http://www.elektroda.pl)

**Albrecht AE4550**



# FUNCTIONAL BLOCK DIAGRAM



# SCHEMATIC DIAGRAM

